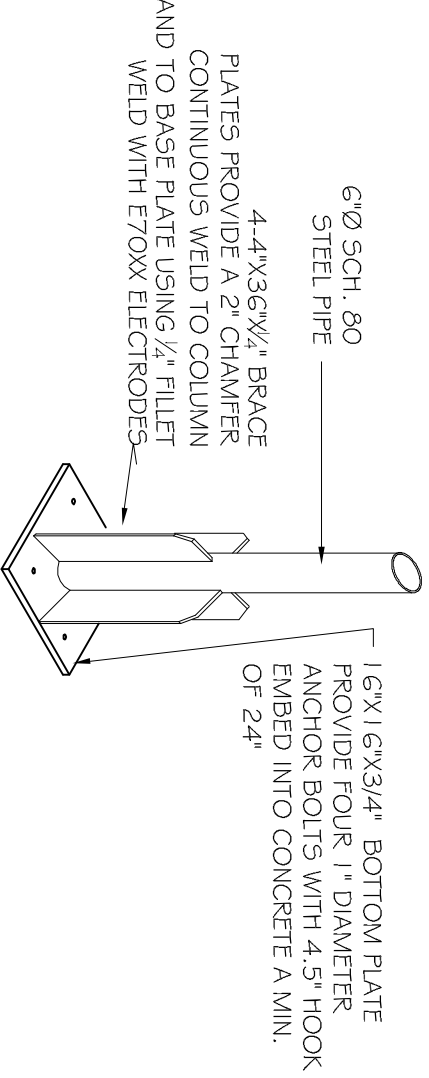
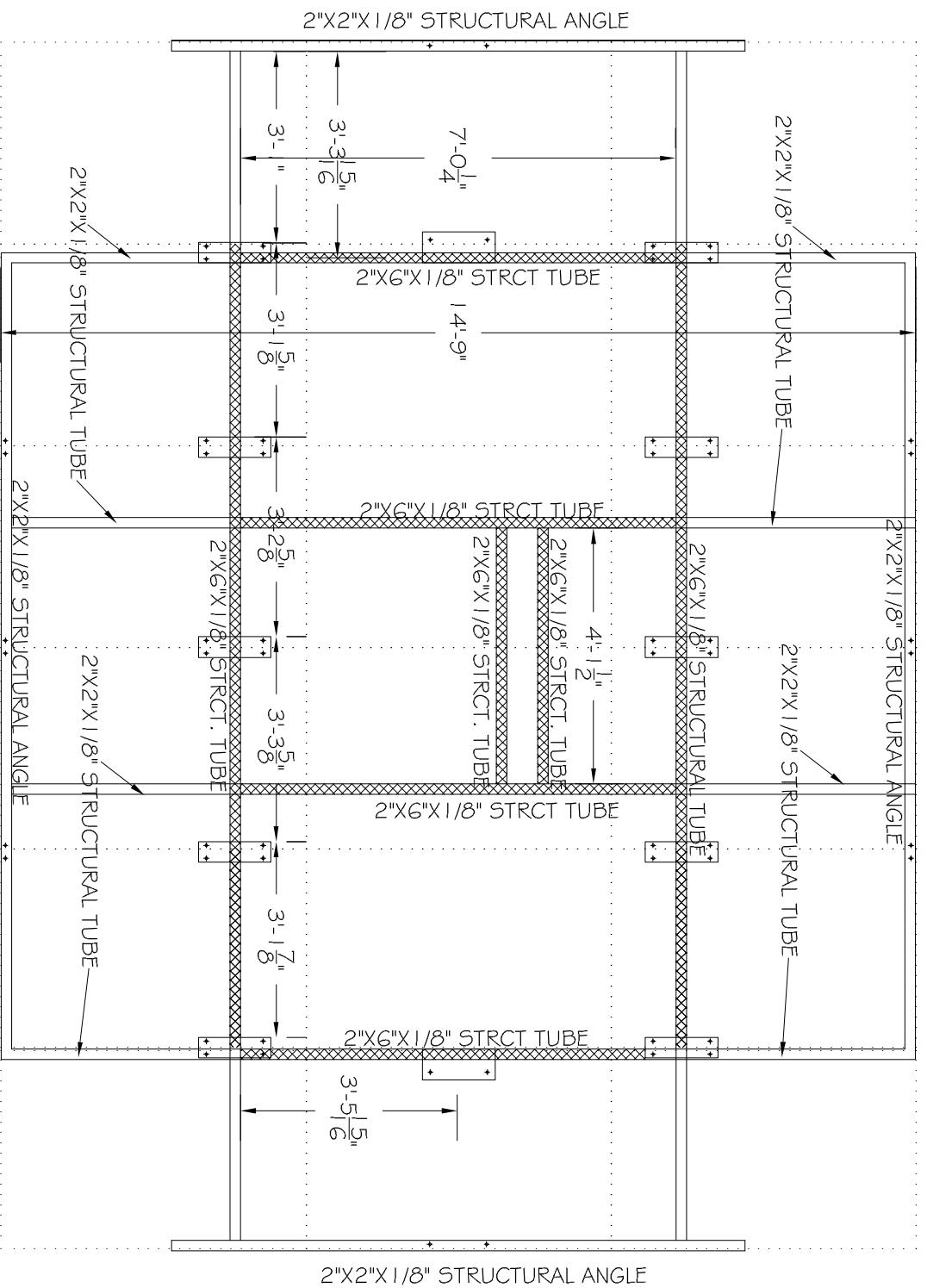


### CONCRETE BASE AND STEEL POST W/ BRACES



### POST BASE DETAIL



### FRAME FOR 288 SQ. FT. SUN-TRACKER

### REQUIRED FOUNDATION SIZE BASED ON SOIL CONDITION 90 MPH WIND LOAD

ALLOWABLE FOUNDATION PRESSURE* (PSF)	LATERAL SOIL BEARING* (PSF/FT)	REQUIRED FOOTING SIZE
4,000	400	5'-6" X 5'-6" X 6'-0"
4,000	400	3'-6" X 8'-0" (DIAMETER X DEPTH)

\*IF SOIL TYPE DOES NOT MATCH SOIL TYPE DESCRIBED THE FOUNDATION SHALL BE DESIGNED BY A QUALIFIED PROFESSIONAL ENGINEER OR LOCAL BUILDING OFFICIAL

**BLACKHAWK ENGINEERING, Ltd.**  
Civil & Municipal Engineering and Building Design  
PLATTEVILLE, WISCONSIN OFFICE PHONE: (608) 348-4433  
EAGLE RIVER, WISCONSIN OFFICE PHONE: (715) 479-3311

ALL REPORTS, PLANS, SPECIFICATIONS, NOTES, COMPUTER FILES, FIELD DATA, AND OTHER DOCUMENTS AND INSTRUMENTS PREPARED BY THE DESIGN PROFESSIONAL AS INSTRUMENTS OF SERVICE SHALL REMAIN THE PROPERTY OF THE DESIGN PROFESSIONAL. THE DESIGN PROFESSIONAL SHALL RETAIN ALL COMMON LAW, STATUTORY AND OTHER RESERVED RIGHTS INCLUDING THE COPYRIGHT THERE TO AND SHALL NOT BE DISCLOSED TO OTHERS, USED, REVISED, OR REPRODUCED IN WHOLE OR IN PART, FOR ANY REASON WITHOUT PRIOR WRITTEN CONSENT.

DESIGN HOMES SATELLITE  
PROPOSED 288 SQ. FT. SUNTRACKER  
FRAME AND BASE  
PRAIRIE DU CHIEN, WISCONSIN

NO.	DATE	COMMENTS

DATE DRAWN: JANUARY 2009  
PROJECT #: 2008-071  
SHEET NO: 01